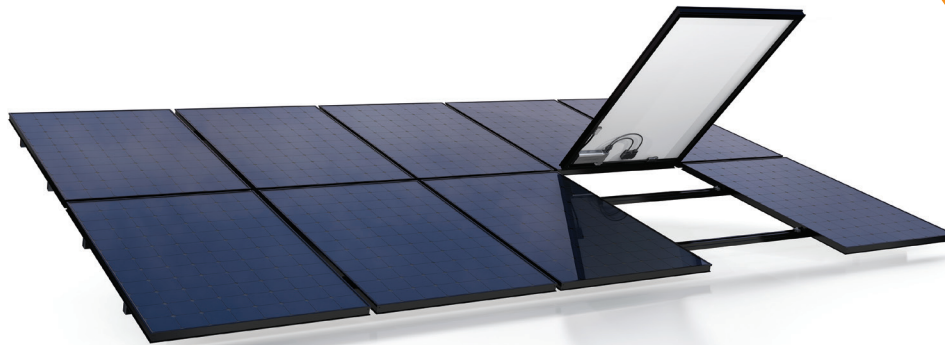


# SunPower® Complete Confidence Warranty

A better warranty starts with a better product.



## 25 years

- Panels
- Microinverters
- Racking
- Power production

## 10 years

- Monitoring hardware

\*Smartphone and laptop not included.



Every part of your SunPower Equinox™ system is meticulously designed to work perfectly together, and rigorously tested for long-term reliability. That's why the **SunPower® Complete Confidence Warranty** is the only warranty to cover your whole system (not just the panels).

## Complete System Warranty

SunPower stands behind your entire system—including power production. That way you never have to wonder which company you can depend on.

### One company

- The only company that stands behind your entire system.

### Easy process

- No need for receipts, proof of purchase or written claims.

### Most comprehensive coverage

- 25 years—system on your roof.
- 10 years—monitoring technology.

### Highest 25-year production warranty

- At a record-breaking 0.25% degradation rate, your SunPower® system will continue to produce more energy than the vast majority of systems on the market.

## Complete Service Warranty

If you experience issues with your system within 25 years of purchase, SunPower will send a SunPower-certified installation contractor to fix the issue—hassle free.

### Easy to reach

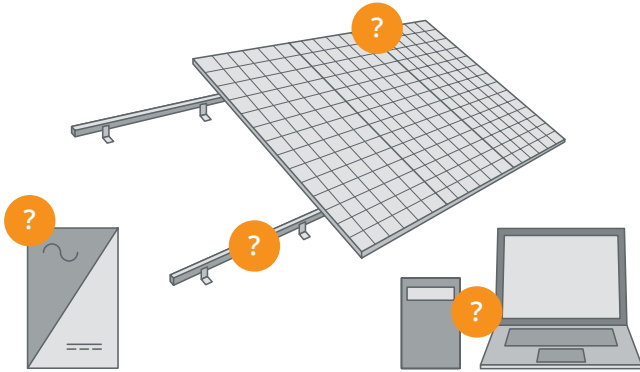
- Our national network means a SunPower-certified installation contractor is right in your neighborhood. And we're always just a call away at 1-800-SUNPOWER.

### Labor, shipping, parts - it's all included.

- If SunPower replaces your panel, it couldn't be simpler.

## Conventional System Warranty

Each part is made and warranted by a different manufacturer.



## SunPower System Warranty

One company backs everything.

\*Smartphone and laptop not included.



### Pitfalls of conventional solar warranties:

- You pay to ship new panels
- You pay to package and ship defective panels
- You must present original physical proof of purchase
- You must make claims in writing
- You have a short time frame to make a claim
- You pay the manufacturer a testing fee if they don't find a defect

		SunPower Complete Confidence Warranty	Conventional Solar Warranties*
<b>Product Warranty</b>			
Panel	25 Years	10 Years	
Inverter	25 Years	N/A (separate inverter manufacturer warranty)	
Racking	25 Years	N/A (separate racking manufacturer warranty)	
Monitoring Technology	10 Years	N/A (separate monitoring manufacturer warranty)	
<b>Power Warranty</b>			
Start point	98%	97.5%	
Yearly decline	0.25%	0.7%	
End point	92%	80.7%	
<b>Included Servicing / Labor</b>			
Shipping – new part	Yes	No**	
Shipping – old part	Yes	No**	
Installation	Yes	No	
<b>Warranty Terms to Note</b>			
	25 years product (defect) coverage for all customers. Allows relocation of system. Allows beachside installations.	* Representative of standard-efficiency solar manufacturers. Competitor warranty information provided from latest warranty documents, as of June 2017.  ** Shipping covered by some conventional warranties.	